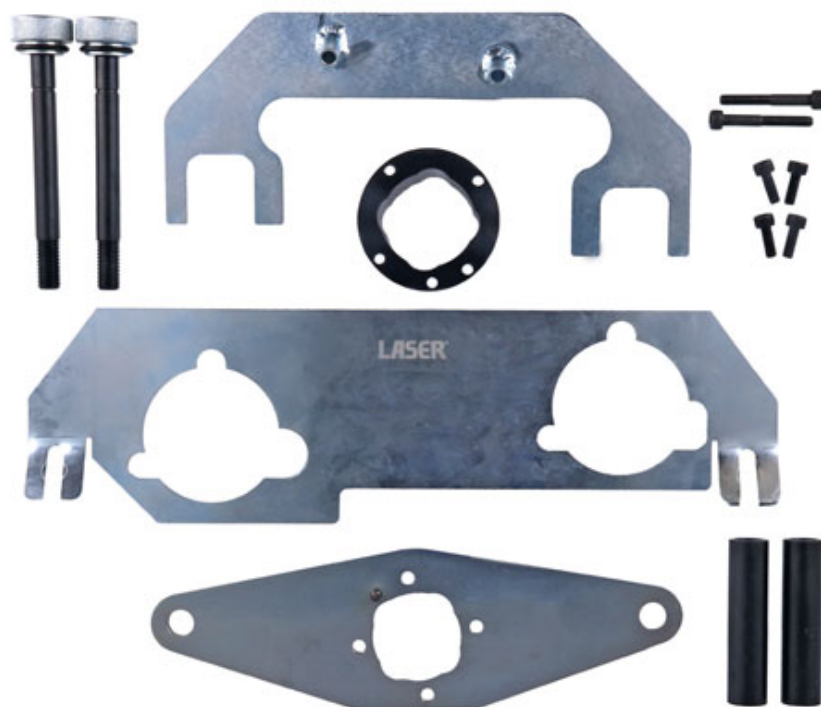


## Engine Timing Kit - for JLR AJ200 Ingenium Petrol

Developed for the 2.0L petrol engine from Jaguar Land Rover (JLR). The kit contains all the essential components required to lock the new JLR 2.0L "Ingenium" petrol engines in their "timed" position so that the engine timing chain can be safely removed and replaced and/or the engine timing checked.



### Additional Information

- Vehicle applications include: Jaguar E-Pace (from 2017), F-Pace (from 2017), F-Type (from 2017), XE and XF (from 2017). Land Rover Discovery (from 2017), Discovery Sport (from 2017), Range Rover Evoque (from 2017), Range Rover Sport (from 2017) and Range Rover Velar (from 2017).
- For locking the engine into the timed position so that the engine timing chain can be removed, replaced and/or the engine timing checked.
- Petrol engine codes: AJ-20/PT204, AJ-200/PT204, AJ-200P/PT204, AJ200P, PT204 and AJ200. For the AJ200 diesel please see Laser Part No. 7430.
- Equivalent to OEM tool codes JLR-303-1630, JLR-303-1635 and JLR-303-1636.
- Made in Sheffield.

<http://lasertools.co.uk/product/8507>

